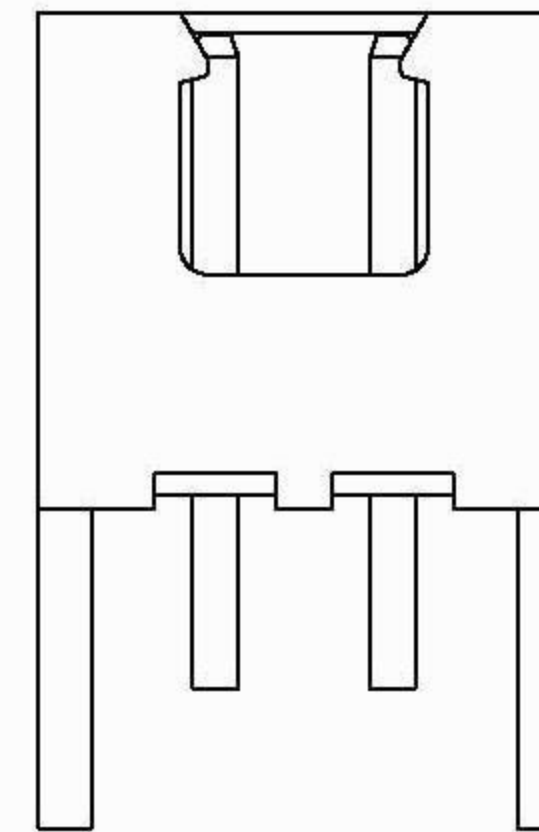
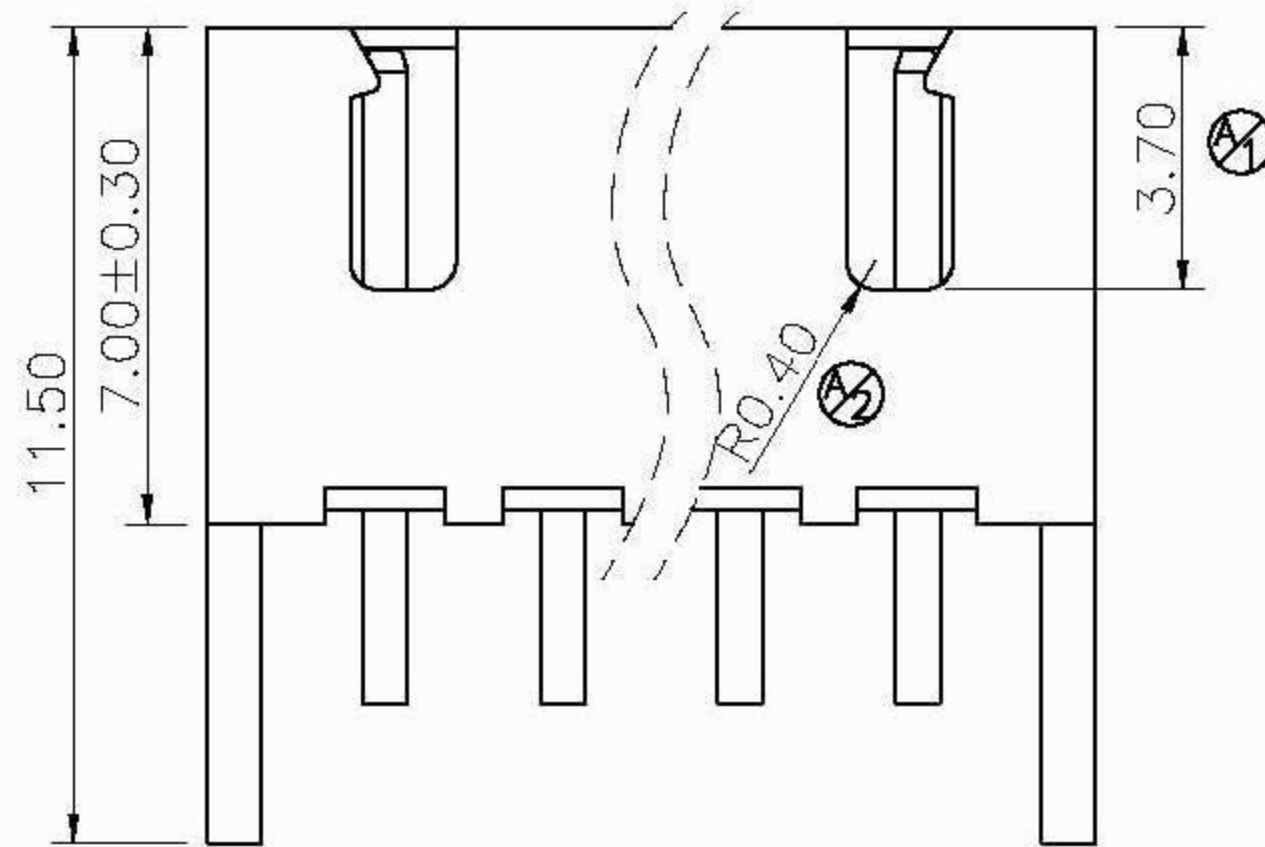
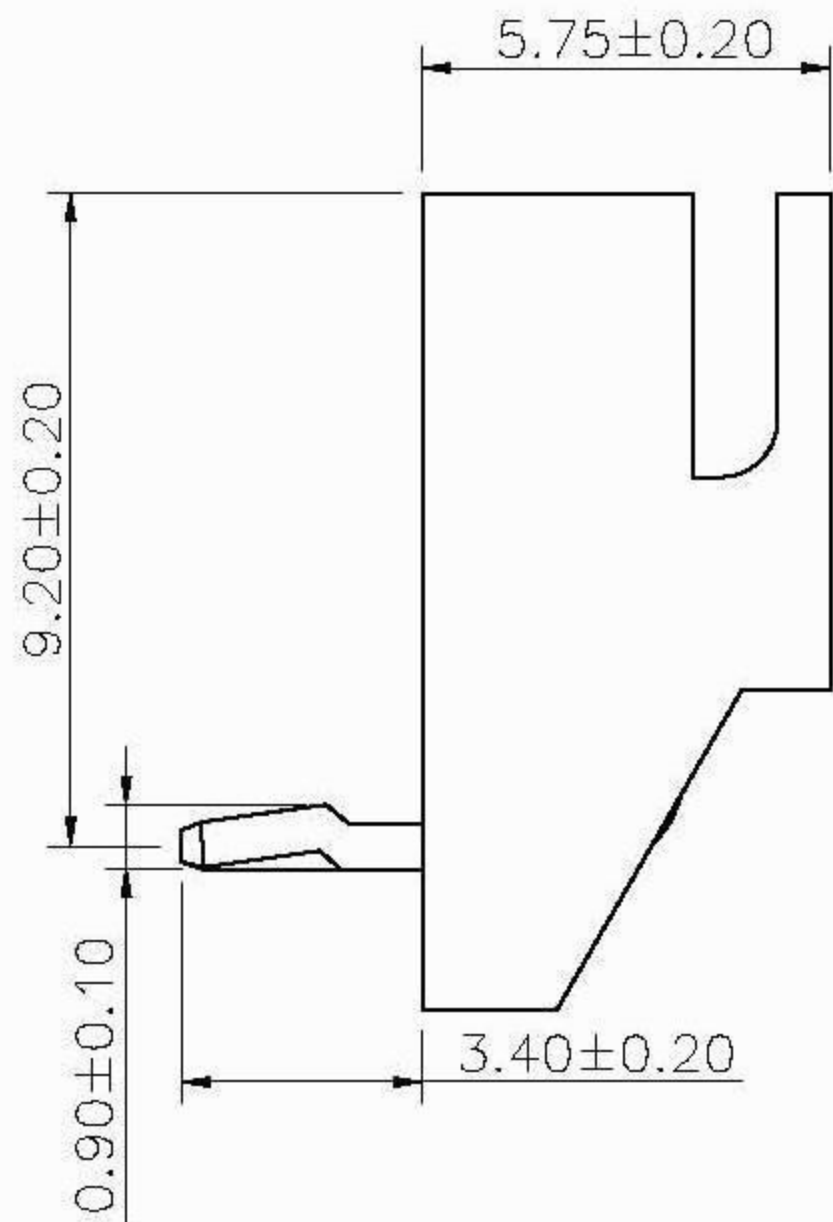
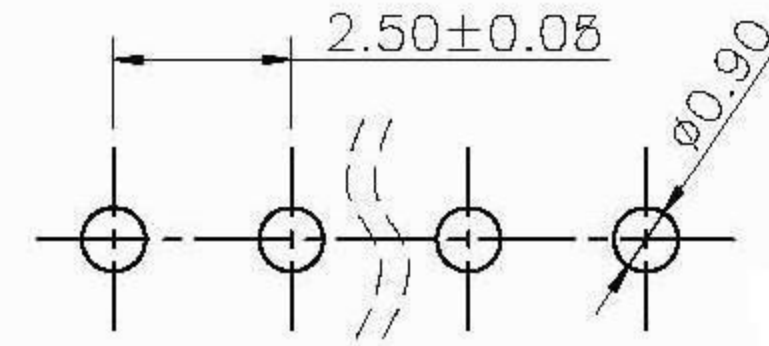


Recommended P.C.B Layout (Top Side)  
 P.C.B Thickness = 1.20mm  
 (Tolerance = ±0.05)

NOTES:

PART NO. : SY2501-WR-XP  
 Current Rating: 3A AC,DC  
 Voltage Rating: 250V AC,DC  
 Temperature Range: -25°C~+85°C  
 Contact Resistance: 20mΩ max  
 Insulation Resistance: 1000MΩ min  
 Withstanding Voltage: 800V AC/minute  
 Material: PA66 UL 94V-0



2P视图

PART NO. (90°)	Dimensions	
	A	B
WF2501R02	7.50	2.50
WF2501R03	10.00	5.00
WF2501R04	12.50	7.50
WF2501R05	15.00	10.00
WF2501R06	17.50	12.50
WF2501R07	20.00	15.00
WF2501R08	22.50	17.50
WF2501R09	25.00	20.00
WF2501R10	27.50	22.50
WF2501R11	30.00	25.00
WF2501R12	32.50	27.50
WF2501R13	35.00	30.00
WF2501R14	37.50	32.50
WF2501R15	40.00	35.00
WF2501R16	42.50	37.50

REV	DATE	MODIFICATION DESCRIPTION	CHANGE	APPROVE	OPERATION	DRAW	DATE	SCALE	UNIT	GXCON ENTERPRISE CO., LTD	
A	01/18/07	A1:3.90→3.70 A2:增加倒角 A3:增加2P视图			~ 10 ±0.15	DESIGN	01/20/06'	4:1	mm	PART NO.	WF2501RXX
0	01/20/06'	NEW			20 ~ 30 ±0.30	CHECK	01/20/06'	A4	1/1	TITLE:	
					30 ~ ±0.50	APPROVE	01/20/06'	SHEET		DRAWING NO.	
					Angle ± 2'			PROJ.			
					DIM TOL						